

HEAVY DUTY EXHAUST FAN

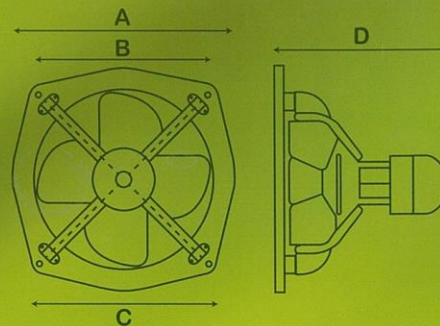


SPECIFICATIONS

Size (inch)	Phase (mm)	Air Volume (φ)	Air Volume (cfm)	C.F.M. at Static Pressure of Wg.						Speed (rpm)	Power (w)	Capacity (m ³ /min)	Current (Amps)	Starter Rating H.P.	Noise (dB)
				0.05"	0.10"	0.15"	0.20"	0.30"	0.40"						
12	300	1	1100	1050	960	860	710	460	1400	100	30	0.35	0.10	58	
15	380	1	2300	2200	2100	2020	1900	1600	1300	1400	200	55	0.80	0.20	65
18	450	1	3900	3800	3700	3650	3550	3200	2900	1400	300	85	1.80	0.40	70
24	600	1	6250	6100	5900	5700	5400	4800	4100	960	330	145	1.60	0.75	68
24	600	3	6250	6100	5900	5700	5400	4800	4100	960	330	145	0.80	1.00	68

DIMENSIONS

Size (in)	A (in)	B (in)	C (in)	D (in)	Weight (KG)
12	15 1/8	12 1/8	12 3/4	9 7/8	6.9
15	18 1/2	14 7/8	15 3/8	10 7/8	8.9
18	21 7/8	17	18 7/8	12 3/8	13.7
24	28 3/4	22 7/8	25 1/8	15 1/4	26.0



LIGHT DUTY EXHAUST FAN



SPECIFICATIONS & DIMENSIONS

Size		Phase (ϕ)	Speed (rpm)	Power (w)	Capacity (m ³ /min)	Dimensions (mm)					
(inch)	(mm)					A	B	C	D	E	F
8	200	1	1400	30	7.38	230	197	208	200	125	12
10	250	1	1400	40	11.40	284	245	260	250	145	12
12	300	1	1400	45	16.40	340	287	305	300	155	12
16	400	1	1400	150	50.00	480	377	420	400	220	15
20	500	1	1400	300	95.00	605	465	520	500	270	15
24	600	1	1400	600	160.00	685	528	610	600	285	18

